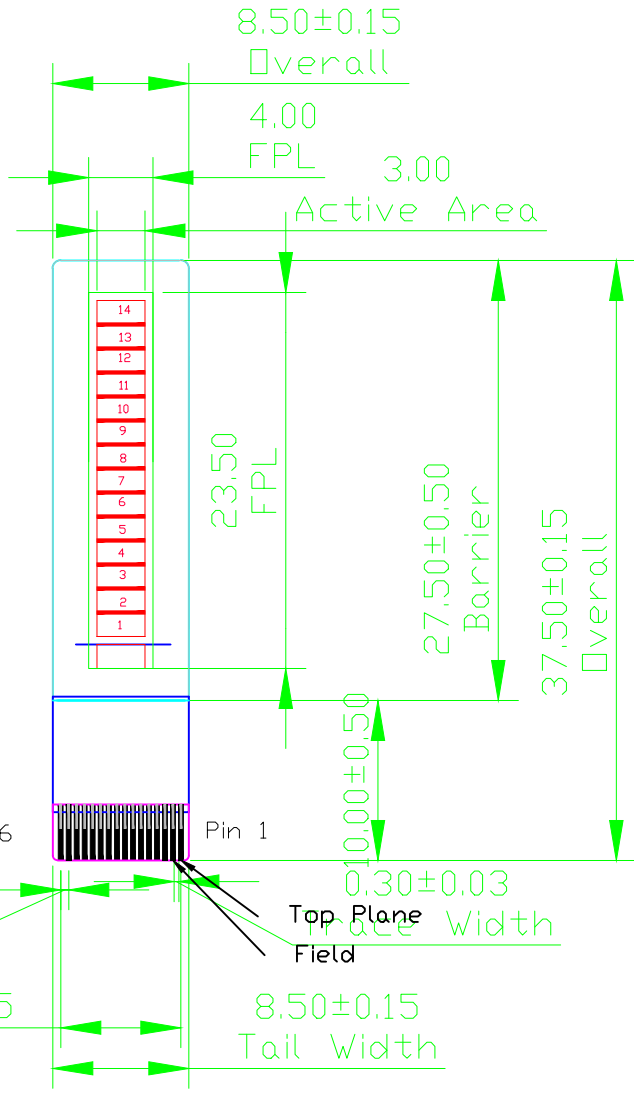


Pin	Description	Segment
1	Top electrode	
2		1
3		2
4		3
5		4
6		5
7		6
8		7
9		8
10		9
11		10
12		11
13		12
14		13
15		14

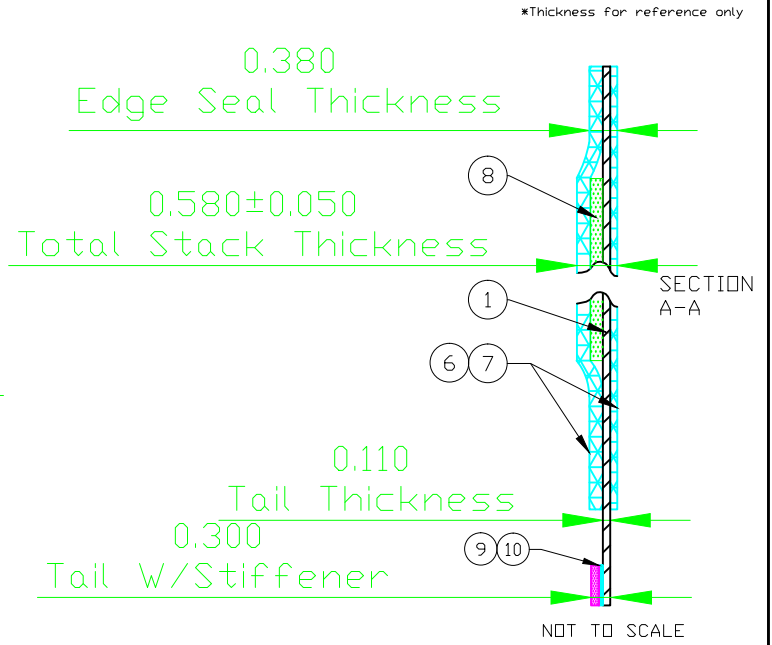
15-16
blank
Connector-
Tyco
5-1734592-6



REV.	DESCRIPTION	DESIGN	DATE
	INITIAL RELEASE		

SDC 2 (100UM THICK PTF BACKPLANE) MATERIALS LIST				
ITEM	LAYER COLOR	DESCRIPTION	MATERIAL	THICKNESS (μm)
1		BACKPLANE	MYLAR PET	100
2		ELECTRODE-FRONT	CARBON	12.50
3		ELECTRODE-REAR 1	SILVER	12.50
4		ELECTRODE-REAR 2	CARBON	12.50
5		DIELECTRIC	DIELECTRIC	35
6		FRONT BARRIER	EINK 110-1031	175
7		REAR BARRIER	EINK 110-1032	100
8		FPL	E INK-Vizplex	175
9		STIFFENER	MYLAR PET	140/180/190
10		STIFFENER ADHESIVE	PSA	50

Note:
1. SDC should be built in accordance with the MFG Spec.
2. Critical Dimensions Should Be Denoted with Min-Max Tolerances.



MATERIAL	HEAT & SURFACE TREATMENT	E Ink Holdings Inc.		
APPROVE	S ONell	SCALE	UNIT	PROJECTION METHOD
CHECK	S ONell	1/1	mm	1st Angle
DESIGN	S ONell	ORIGINAL NAME	DWG. NAME	REV. SHEET
			14 Bar Capacity Gauge	DWG. NO. 01
			SC002221	1/1